

A

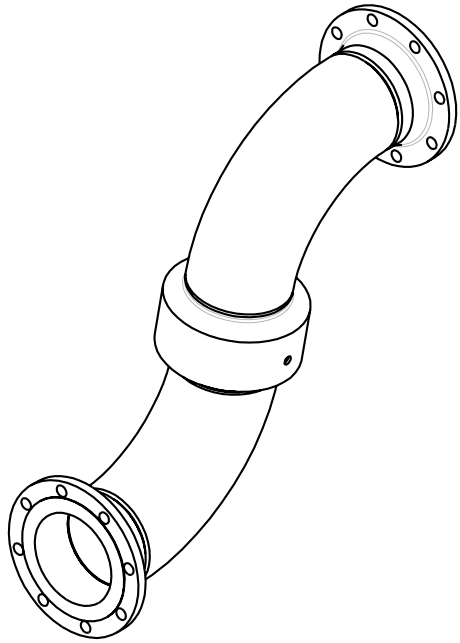
B

C

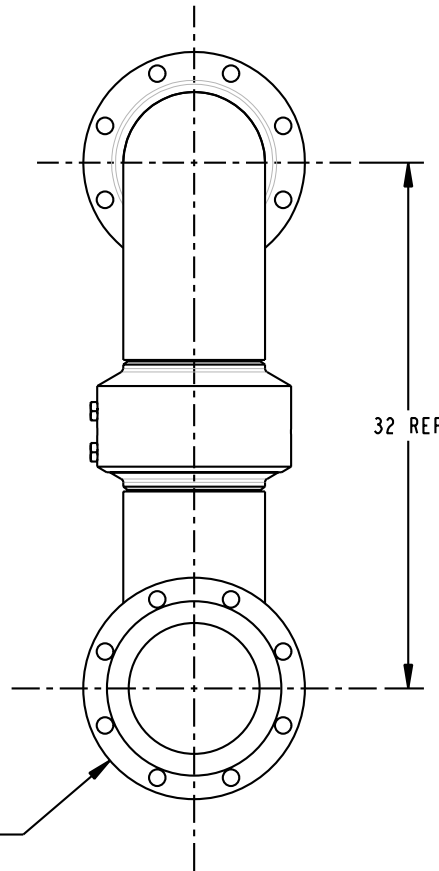
D

THIS DRAWING IS NOT TO BE SCALED. FOR ADDITIONAL INFORMATION. PLEASE CONTACT OUR ENGINEERING DEPT.

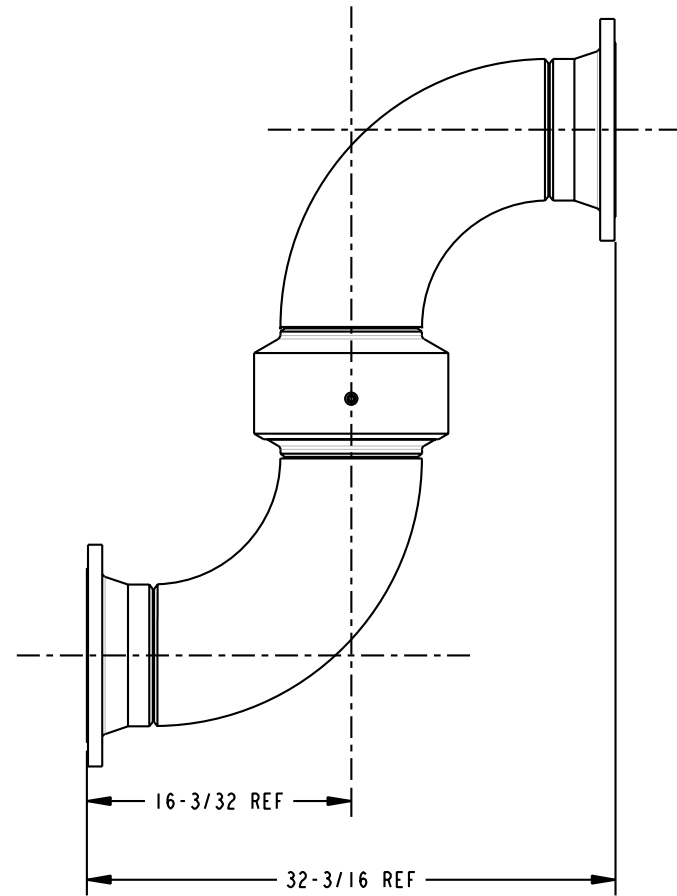
REVISIONS					
LTR	ECN #	DESCRIPTION	DRAWN	APPROVED	DATE
-	-	-	-	-	-



SCALE 0.100



$\varnothing 13-1/2$ REF
 8" - 150# FLANGE
 BOTH ENDS



CONFIDENTIAL THIS DOCUMENT CONTAINS INFORMATION WHICH IS PROPRIETARY TO OPW, AND SHOULD BE PROTECTED ACCORDINGLY.		DESCRIPTION: 8" SWIVEL, CST, BUNA, SBMR 'G SERVICE	
UNLESS OTHERWISE SPECIFIED TOLERANCES ON DIMENSIONS 3 DECIMALS +/- 0.005 2 DECIMALS +/- 0.015 1 DECIMAL +/- 0.030 ANGLES +/- 1/2 DEG MACHINED SURFACES 125 RMS MAX		SIGNATURES DRAWN: SCK	MO-DA-YR 07/27/07
		CHECKED: -	REV: -
		MATERIAL: CST	WEIGHT: -
		SIZE: C	PART NUMBER: 3440FJ-0801
		SCALE: 0.130	SHEET 1 OF 1
		3D GENERATED DRAWING	

A

B

C

D